



Quad-LED Headlight W/ LED DRL & Sequential Signal

2018-2023 Freightliner Cascadia

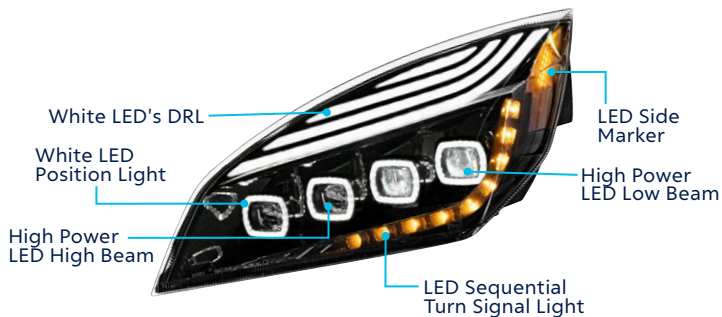
- All LED design feature 26W LEDs with individual low beam projectors and high beam reflectors
- Quality polycarbonate lens with durable ABS rear housing
- Bright daytime running light with 144 white LEDs
- Sequential turn signal light with 15 amber LEDs
- Easy connection, plugs into factory wiring harness
- DOT/SAE, FMVSS 108

36724	Driver	Chrome	1 Pc. / Cbox
36725	Passenger	Chrome	1 Pc. / Cbox
36726	Driver	Black	1 Pc. / Cbox
36727	Passenger	Black	1 Pc. / Cbox

Technical Specification

Low Beam Application
1500 Lumens, 5500K
2.2 Amps @12V DC

High Beam Application
2200 Lumens, 5500K
2.2 Amps @12V DC



T 800.790.6988 | F 888.986.5988 | UPauto.com

10 High Power LED Projection Headlight Assembly W/ Mounting Arm & TS Side Pod

Peterbilt 379 & Custom Applications

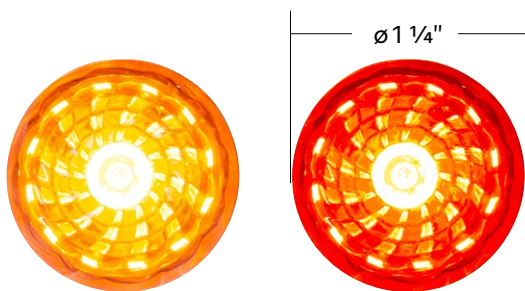
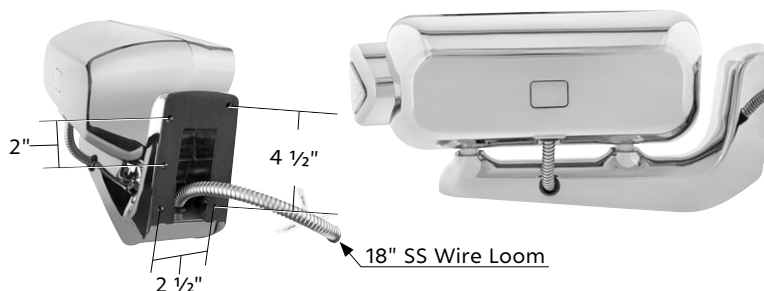
- All LED dual function headlight assembly with chrome plastic housing and die-cast mounting arm
- Features 100 bright white LED auxiliary lights, 8 LED amber front facing turn/parking lights, and a 14 LED amber turn/side marker side pods
- Peterbilt models such as 357/359/365/367/378/389/567 will require minimal modification to hood for mounting hole alignment
- Also great for any custom applications
- Easy installation with OE spec threaded mounting holes. Includes long wiring loom for electrical hookup
- Additional tools and hardware includes: socket wrench (13mm & 10mm), wire stripper, roll of electrical tape, M6 & M8 thread size hex bolts with matching split and flat washers, and single quick-splice wire connector
- DOT/SAE, FMVSS 108

35897	Driver	Chrome	1 Pc. / Cbox
35898	Passenger	Chrome	1 Pc. / Cbox
35899	Driver	Blackout	1 Pc. / Cbox
35900	Passenger	Blackout	1 Pc. / Cbox

Technical Specification

Low Beam Application	High Beam Application
1200 Lumens	1200 Lumens
1.5 Amps @12-24V DC	3 Amps @12-24V DC

Tool Kit Included

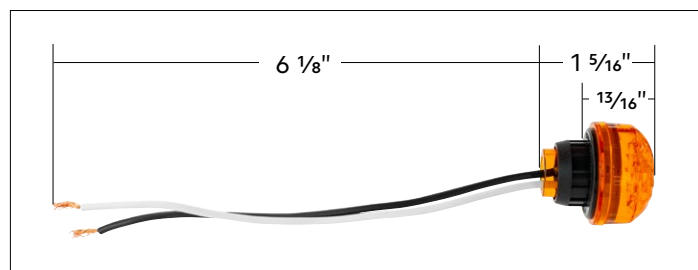
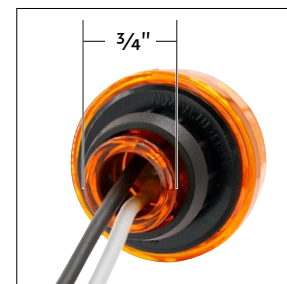


DOT & SAE

LED 1-1/4" Round Light (Clearance/Marker)

- High quality injection molded polycarbonate lens
- Features a super bright SMD type LED
- Black back housing with epoxy sealed electronics
- Easy wiring, 6-1/8" of 18G wires with stripped ends
- Requires a 3/4" opening, mounts with included black rubber grommet
- DOT/SAE, P2

36380	Amber LED	Amber Lens	1 Pc. / Card
36382	Red LED	Red Lens	1 Pc. / Card

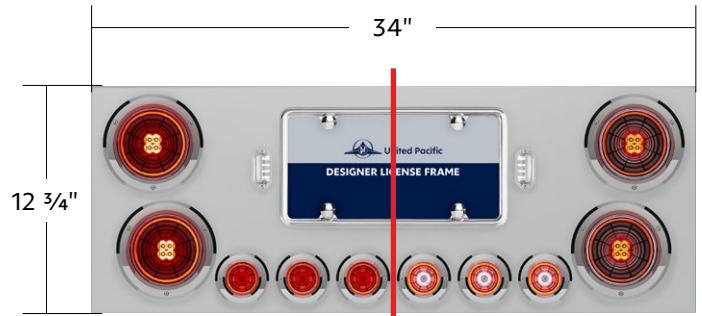




SS Rear Center Panel With Four 13 LED 4" Abyss Light & Six 4 LED 2" Lights & Bezels

- 34" stainless steel rear center light panel with four 4" and six 2" LED lights
- High polished 430 stainless steel finish for durability & shine
- Rear center panel with enclosed back plate available separately, item #21493
- Includes LED license light item #39930, chrome license frame item #50003, bullet fastener item #10889 and rubber grommet item #31515/31505
- Chrome plastic light bezel available separately
- Fully assembled with internally wired LED lights

34481	Red LED	Red Lens	Bezel	1 Pc. / Cbox
34482	Red LED	Clear Lens	Bezel	1 Pc. / Cbox
34483	Red LED	Red Lens	Visor	1 Pc. / Cbox
34484	Red LED	Clear Lens	Visor	1 Pc. / Cbox

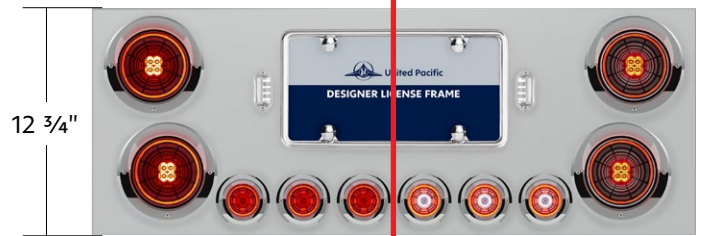


34481

- 4" light 13 red LED w/ red lens Abyss light item #36564
- 2" light 4 red LED w/ red lens Abyss light item #36575
- 4" light bezel item #10484B
- 2" light bezel item #10458B

34482

- 4" light 13 red LED w/ red lens Abyss light item #36566
- 2" light 4 red LED w/ clear lens Abyss light item #36567
- 4" light bezel item #10484B
- 2" light bezel item #10458B



34483

- 4" light 13 red LED w/ red lens Abyss light item #36564
- 2" light 4 red LED w/ red lens Abyss light item #36575
- 4" bezel w/ visor item #10483B
- 2" bezel w/ visor item #10481B

34484

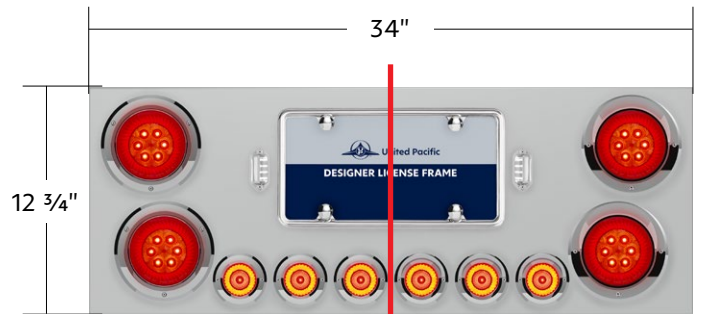
- 4" light 13 red LED w/ red lens Abyss light item #36566
- 2" light 4 red LED w/ clear lens Abyss light item #36567
- 4" bezel w/ visor item #10483B
- 2" bezel w/ visor item #10481B

Turbine Light

SS Rear Center Panel With Four 16 LED 4" Turbine Light & Six 7 LED 2" Lights & Bezels

- 34" stainless steel rear center light panel with four 4" and six 2" LED lights
- High polished 430 stainless steel finish for durability & shine
- Rear center panel with enclosed back plate available separately, item #21493
- Includes LED license light item #39930, chrome license frame item #50003, bullet fastener item #10889 and rubber grommet item #31515/31505
- Chrome plastic light bezel available separately
- Fully assembled with internally wired LED lights

34485	Red LED	Red Lens	Bezel	1 Pc. / Cbox
34486	Red LED	Red Lens	Visor	1 Pc. / Cbox

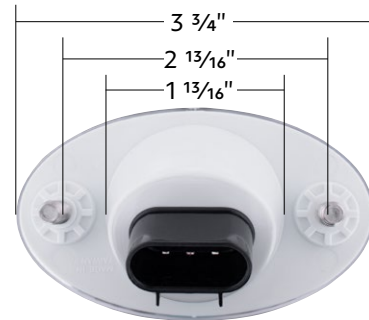
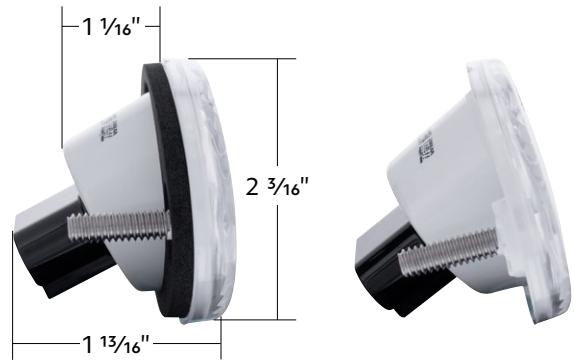


34485

- 4" light 16 red LED w/ red lens Turbine light item #39214
- 2" light 7 red LED with red lens Turbine light item #39223
- 4" light bezel item #10484B
- 2" light bezel item #10458B

34486

- 4" light 16 red LED w/ red lens Turbine light item #39214
- 2" light 7 red LED with red lens Turbine light item #39223
- 4" bezel w/ visor item #10483B
- 2" bezel w/ visor item #10481B



IP67
WATER RESISTANT

DOT & SAE

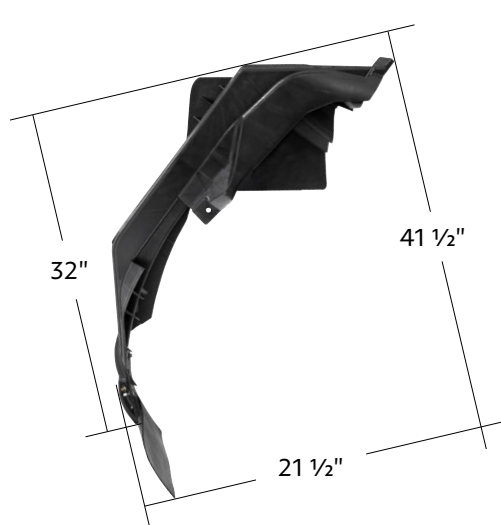
4 LED Fender Turn Signal Light

Freightliner M2

- Bright LEDs behind quality polycarbonate lens
- Mounting stud and foam gasket included
- Durable plastic injection molded back housing
- OE style wiring connector
- DOT/SAE P2
- IP67 water resistant

30135 Amber LED / Clear Lens

1 Pc. / Card



Splash Guard

2018-2023 International LT

- High quality plastic injection molded plastic
- Includes mud flap kit
- Direct replacement for Driver OE #4054641C95 and Passenger OE #4085491C94

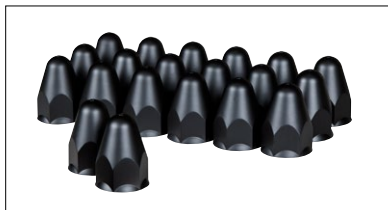
20885 Driver

1 Pc. / Each

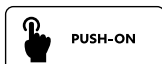
20886 Passenger

1 Pc. / Each





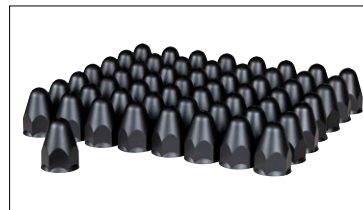
20 PIECES



1-1/2" X 2-3/4" Matte Black Painted Plastic Bullet Nut Covers - Push-On

- Quality molded plastic w/ beautiful long lasting matte black finish
- Fits over standard 1-1/2" hex nuts & bolts, or lug nuts on stud piloted wheel
- Convenience pack, includes 20 nut covers to dress up two wheels

10361 Matte Black Plastic Bullet Nut Covers 20 Pcs. / Cbox



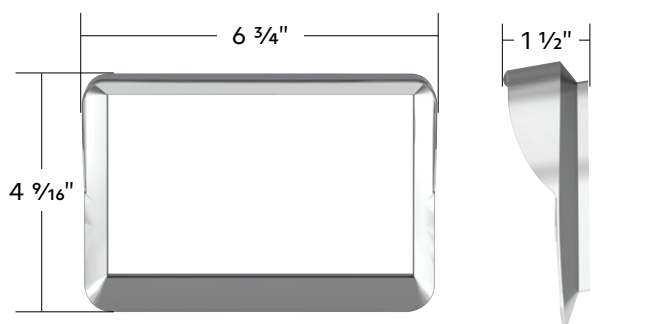
60 PIECES



1-1/2" X 2-3/4" Matte Black Painted Plastic Bullet Nut Covers - Push-On

- Quality molded plastic with beautiful long lasting matte black finish
- Fits over standard 1-1/2" hex nuts and bolts, or lug nuts on stud piloted wheel
- Convenience pack, includes 60 nut covers to dress up six wheels

10361CB Matte Black Plastic Bullet Nut Covers 60 Pcs. / Cbox



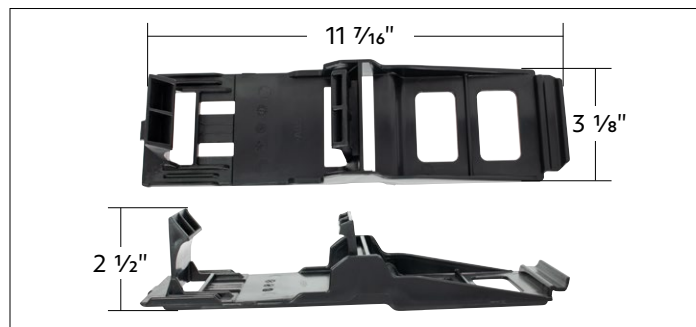
Chrome Plastic 7" Navigation Screen Bezel

2012-2021 Peterbilt 579

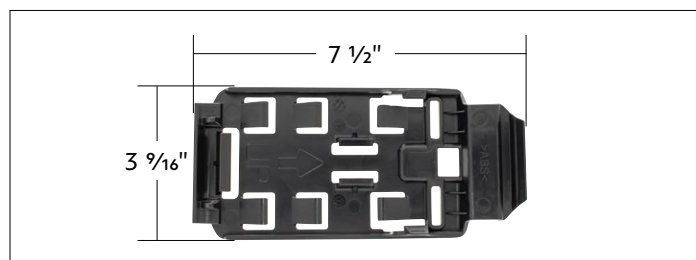
- Beautiful chrome plated finish w/ triple chrome plating process
- Quality injection molded plastic for durability
- For 579 model equipped with factory 7" navigation display
- Pre-applied double sided tape for easy installation

20608 7" Chrome Plastic Screen Bezel 1 Pc. / Card

20742



20743



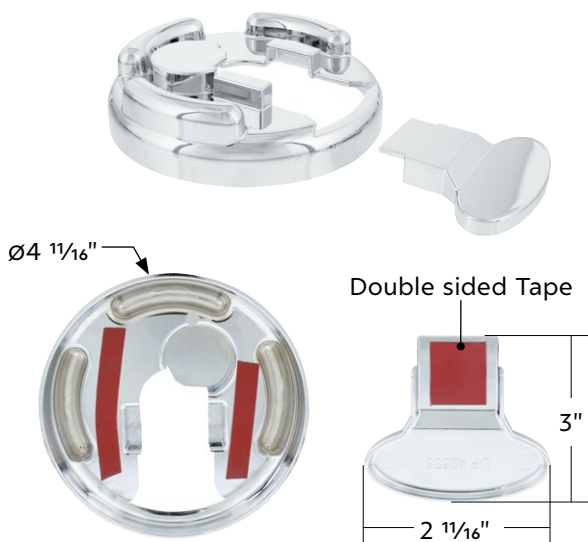
Fairing Retainer

2003-2017 Volvo VNL

- Quality injection molded plastic for durability
- Direct replacement for inside retainer OE #82770571 & outside retainer OE #82770569

20742 Inside 1 Pc. / Each

20743 Outside 1 Pc. / Each

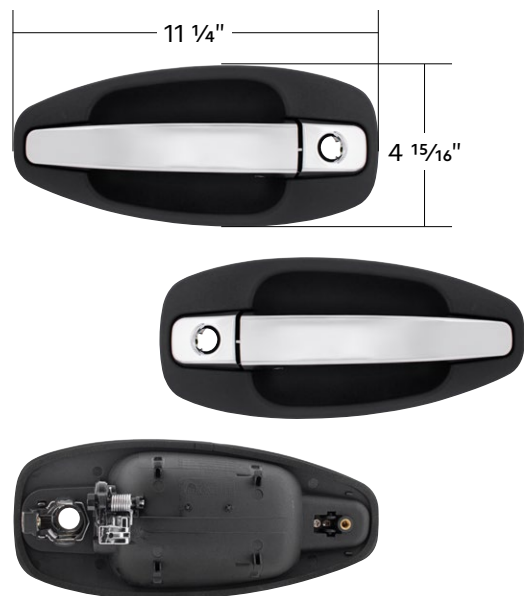


Chrome Plastic Fuel Cap Cover - Locking

Peterbilt

- Quality injection molded plastic for durability
- Beautiful chrome plated finish w/ triple chrome plating process
- Two-piece design, includes cover for handle and cap
- Fits various Peterbilt models and years
- Double sided tape pre-applied for easy installation

42528 Fuel Cap Cover - Locking 1 Pc. / Card



Chrome Exterior Handle (Bulk)

2013-2023 Kenworth T680/T880 & (2019-2023) W990

- Beautiful high quality chrome plated injection molded plastic
- Original style design for easy replacement
- Key lock cylinder opening, 5/8" diameter. (Cylinder not included)
- Black foam pad included

42610B Driver 1 Pc. / Box

42611B Passenger 1 Pc. / Box



United Pacific Counter Mat

- Heavy duty Vynex counter mat with 8 of United Pacific's hottest products

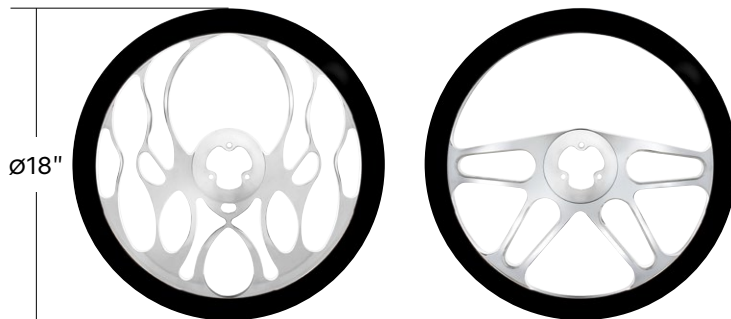
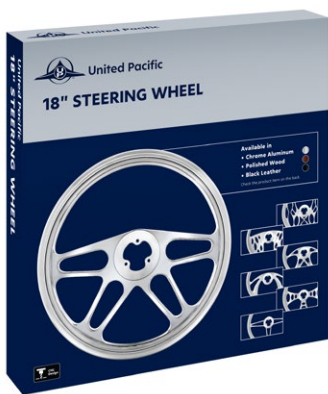
99007 Counter Mat 1 Pc. / Each



United Pacific Square Bin Box

- 3' tall floor standing cardboard bin with beautiful printed graphic on all 4 sides
- 24-1/4" x 20 3/4" x 36"

99123 UP Square Bin Box 1 Pc. / Each



88151
"Blaze" Style

88155
"4-Spoke" Style

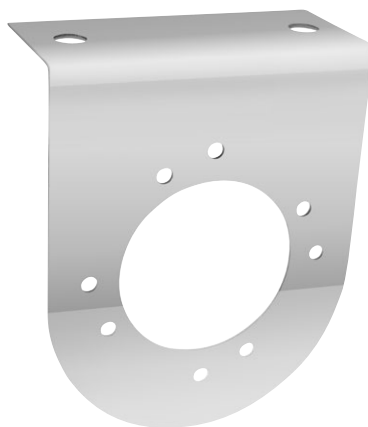
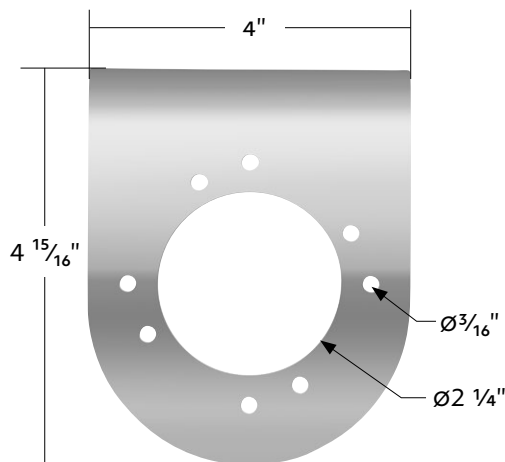
BACK IN STOCK

18" Chrome Aluminum Steering Wheel With Black Leather Rim

- Premium black leather steering wheel rim
- High quality CNC aluminum with chrome plating
- Steering wheel and hardware only. Hub and horn button assembly available separately
- Mix and match with United Pacific hubs and designer horn bezels for a unique and distinctive look



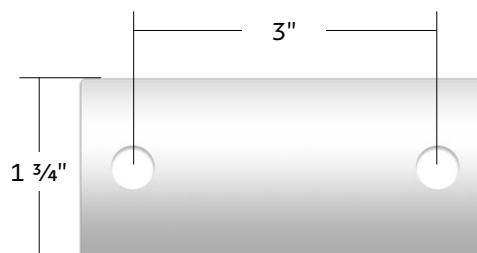
88151	"Blaze" Style Steering Wheel	1 Pc. / Cbox
88155	"4-Spoke" Style Steering Wheel	1 Pc. / Cbox



NEW & IMPROVED!

304 Stainless Steel Light Bracket For Single 3" Light

- Highly polished 304 premium grade stainless steel for durability and shine
- Center 2-1/4" diameter cutout
- Ideal for mounting United Pacific 3" watermelon/torpedo lights
- Can also mount 2" clearance/marker lights with a mounting grommet



20461	304 SS Light Bracket	1 Pc. / Each
--------------	-----------------------------	--------------

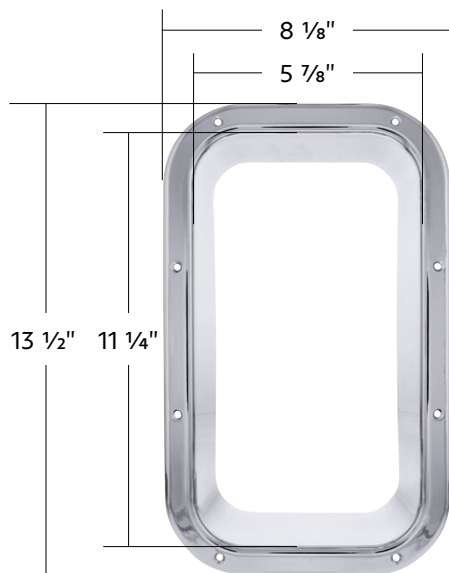


Mid Steering Column Cover

2008-2023 Peterbilt 389, (2006-2015) 388/386 & (2006-2007) 379/378

- Beautiful chrome plated finish w/ triple chrome plating process
- Quality injection molded plastic for durability
- For use with models equipped with 2-piece steering column
- Easy installation with original style mounting clips and screw holes (screws not included)

41231 Mid Steering Column Cover 1 Pc. / Hbox



Chrome Interior View Window Trim

1990-2005 Kenworth W900L & (1986-2005) T800

- Chrome plastic interior view window trim for Kenworth
- Fits various years and models

40921 Chrome Interior View Window Trim 1 Pc. / Cbox

